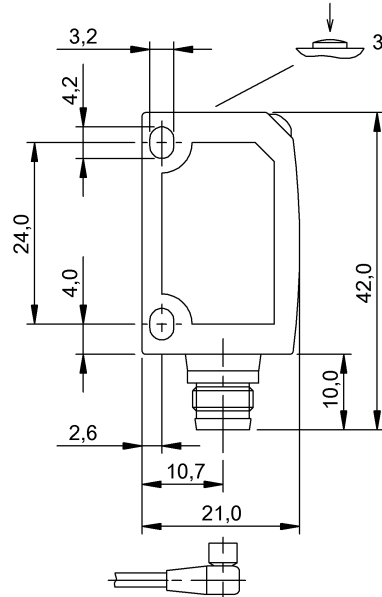
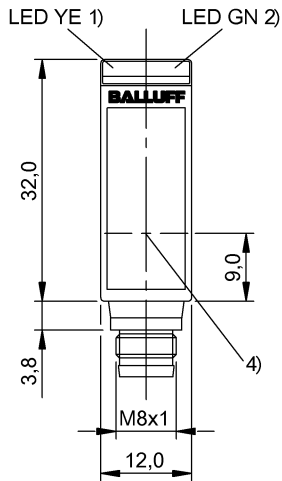
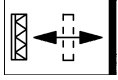


BOS 6K-PU-1TA-S75-C
Ordering code: BOS00AL

Retroreflective sensor
Series 6K
Working range: bis 500 mm

PNP (1x), antivalent
LED, red light
DC, direct current

BALLUFF
sensors worldwide



1) Light reception, 2) Stability, 3) Sn, Light-on/Dark-on, 4) Optical axis

Characteristic data

Enclosure type per IEC 60529	IP67
Protection class	II
Short-circuit protected	yes
Protected against polarity reversal	yes
Indicator	Stability - LED GN
Input function	Key disable on/off/Same function as key
Setting	Factory setting (Reset), Light-on/dark-on, Sensitivity (Sn)
Adjuster	Key (1x)
Reference reflector	BOS R-22
Switching freq. f max.	1000 Hz

Optical data

Principle of optical operation	Retro-reflective sensor
Switching function, optical	NO/NC: dark-on/light-on
Light spot size, typical	20 mm x 20 mm at 500 mm
Light type	LED, red light
Wavelength	660 nm
Ambient light max.	5,000 Lux
Optical special feature	Transparency detection
Polarizing filter	yes

Electrical data

Operating voltage	10...30 V DC
Rated operating voltage Ue DC	24 V
Effective operating current Ie	100 mA
Switching output	PNP (1x)
Switching function	NO/NC
Turn-off delay toff max.	0,5 ms
Turn-on delay ton max.	0,5 ms

No-load current max. Io at Ue	25 mA
Voltage drop Ud max. (at Ie)	2,4 V

Mechanical data

Connector type	M8x1-S75
Eff. switching distance Sr	500 mm
Shock rating	Half-sinus, 30gn, 11ms, 3x6
Vibration rating	10-55 Hz, 0.5mm ampl., 3x30min
Ambient temperature	-20...60 °C
Sensing surface material	PMMA
Housing material	ABS
Mounting type	Screw M3
Design	Block, 90° connection
Operating range Ro	0...500 mm
Blind zone	5 mm
Beam characteristic	Divergent
Range Sn	Sn = 500 mm, adjustable

Basic data

Connection Connector, M8x1-S75
 Basic standard IEC 60947-5-2
 The sensor is functional again after the overload has been eliminated.
 Polarizing filters prevent spurious switching due to reflecting and shiny parts.
 Operating object (test target): Gray card, 200 x 200, 90 % remission, lateral approach, direction of movement vertical to plane of lens axes.
 With connector, e.g. BKS-S 75-... total length = switch length + 12 mm.
 Only for NFPA 79 applications (machines with a supply voltage of maximum 600 volts). Device shall be connected only by using any R/C (CYJV2) cord, having suitable ratings.
 For additional information, refer to user's guide.
 Order accessories separately.
 Do not press key using a pointed tool.

BOS 6K-PU-1TA-S75-C
Ordering code: BOS00AL

Retroreflective sensor
Series 6K
Working range: bis 500 mm

PNP (1x), antivalent
LED, red light
DC, direct current

BALLUFF
sensors worldwide



LISTED IND. CONT. EQ. 77HA
for use in the secondary of
a class 2 source of supply

Definitions see main catalog

subject to change

